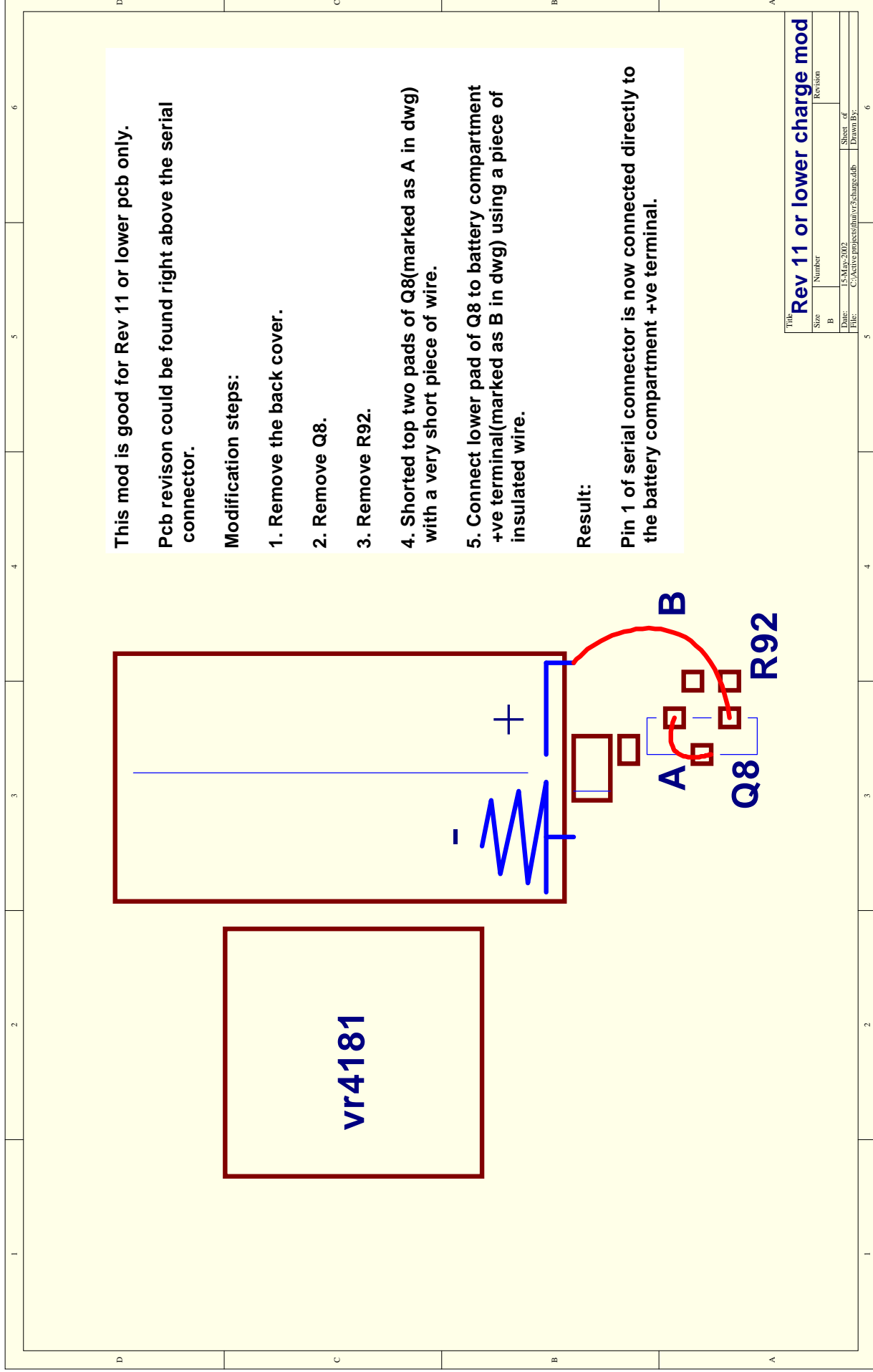


Title		Charge mod master sheet	
Size	Number	Revision	
B		Rev 1.0	
Date:	14.May.2002	Sheet of	16
File:	C:\Active\project\shalt\vr3\charge.dbb	Drawn By:	



This mod is good for Rev 11 or lower pcb only.

Pcb revision could be found right above the serial connector.

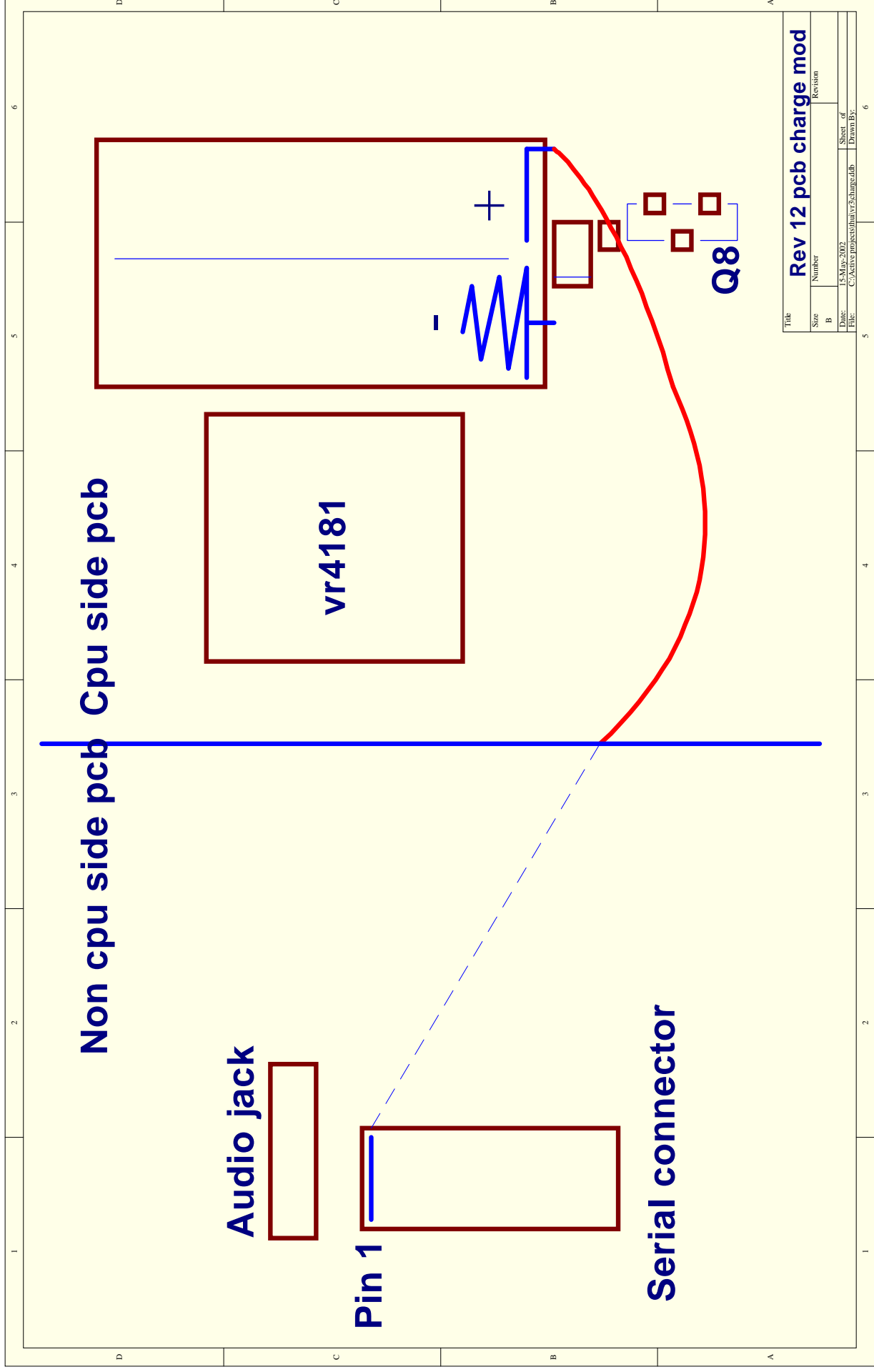
Modification steps:

1. Remove the back cover.
2. Remove Q8.
3. Remove R92.
4. Shorted top two pads of Q8(marked as A in dwg) with a very short piece of wire.
5. Connect lower pad of Q8 to battery compartment +ve terminal(marked as B in dwg) using a piece of insulated wire.

Result:

Pin 1 of serial connector is now connected directly to the battery compartment +ve terminal.

Title		Rev 11 or lower charge mod	
Size	Number	Revision	
B			
Date:	14/01/2002	Sheet of	
File:	C:\Active\project\hulvr3\charge.dwg	Drawn By:	



Title		Rev 12 pcb charge mod	
Size	Number	Revision	
B			
Date:	Drawn By:	Sheet of	Drawn By:
File:	C:\Active projects\hull\vr3\charge.dtb		

Rev 12 pcb charging modifications description.

Pcb revision could be found right above the serial connector.

Modification steps:

- 1. Remove the back cover.**
- 2. Remove the front cover.**
- 3. Using a piece of insulated wire, connect Pin1(closest to the Audio connector) on the serial connector to the battery compartment +ve terminal as marked A in dwg.**

Result:

Pin 1 of serial connector is now connected directly to the battery +ve terminal.

Title: **Rev 12 pcb charge mod text**

Size	Number	Revision
B		

Date: 14/01/2012

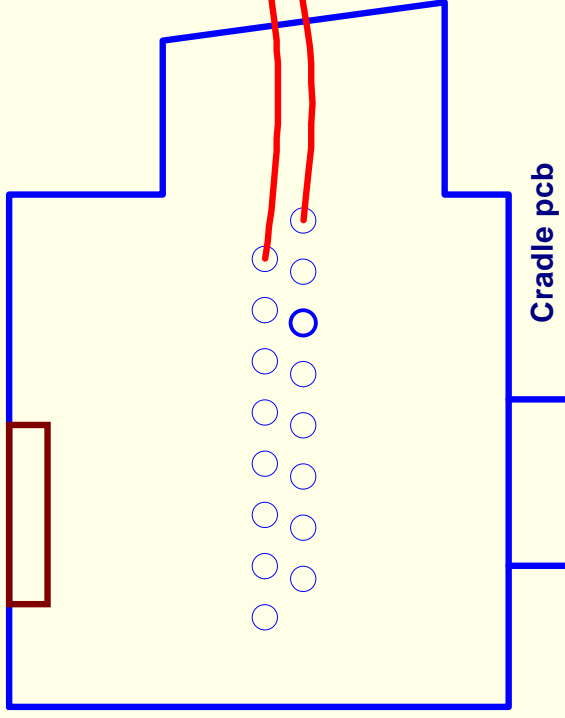
File: C:\Active projects\hali\vr3\charge.dwg

Drawn By:

Sheet of

6

Serial connector



Cradle pcb

Ribbon cable

0V

+3.0V center

This mod is good for those developer units which do have the dc jack on the RS232 cable, in this case, a dc jack has to added to the cradle.

Modification steps:

1. Remove all rubber feets on the cradle.
2. Open up cradle and remove the pcb.
3. Connect a dc jack to the two pads as shown in the dwg.

Result:

The dc jack is now connected directly to the vr3 battery compartment +ve terminal and gnd.

Title	
Size	Number
B	Revision
Date:	14/01/2002
File:	C:\Active\project\hulvr3change.dwg
Drawn By:	Sheet of

Cradle modifications

Title	
Size	Number
B	Revision
Date:	14/01/2002
File:	C:\Active\project\hulvr3change.dwg
Drawn By:	Sheet of